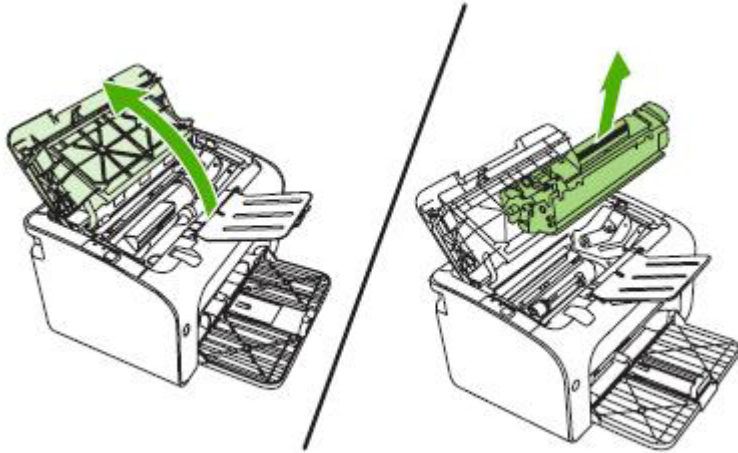


Replace the Toner Cartridge - HP

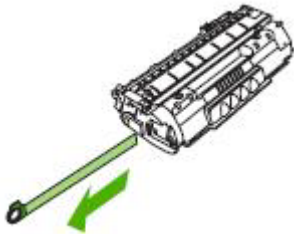
1. Open the print-cartridge door, and remove the old print cartridge. See the recycling information inside the print-cartridge box. To prevent damage to the print cartridge, minimize its exposure to direct light by covering it with a sheet of paper.



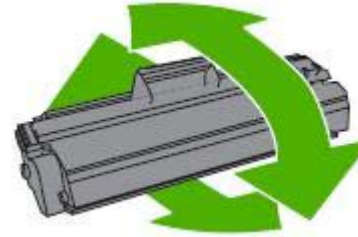
2. Remove the new print cartridge from the packaging.

CAUTION: To prevent damage to the print cartridge, hold the print cartridge at each end.

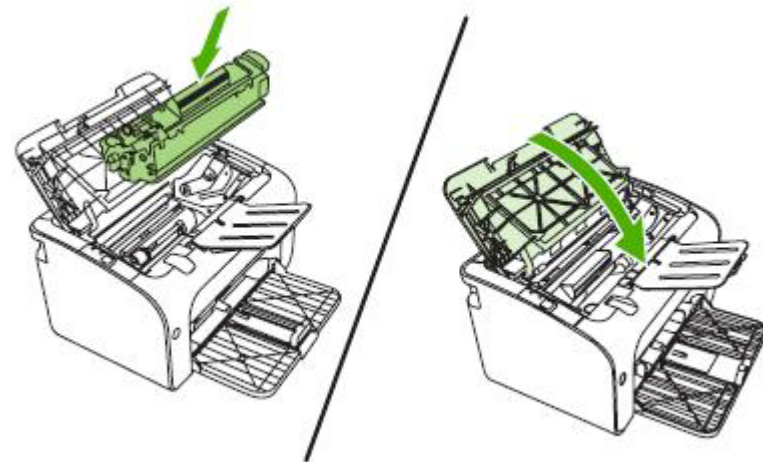
3. Pull the tab until all the tape is removed from the cartridge. Put the tab in the print-cartridge box to return for recycling.



4. Gently rock the toner cartridge from front to back to distribute the toner evenly inside the cartridge.



5. Insert the print cartridge in the device and close the print-cartridge door.



CAUTION: If toner gets on your clothing, wipe it off with a dry cloth and wash the clothing in cold water. *Hot water sets toner into the fabric.*

NOTE: When toner is low, faded or light areas appear on the printed page. You might be able to temporarily improve print quality by redistributing the toner. To redistribute the toner, remove the cartridge from the device and gently rock it from front to back.

From the HP Website